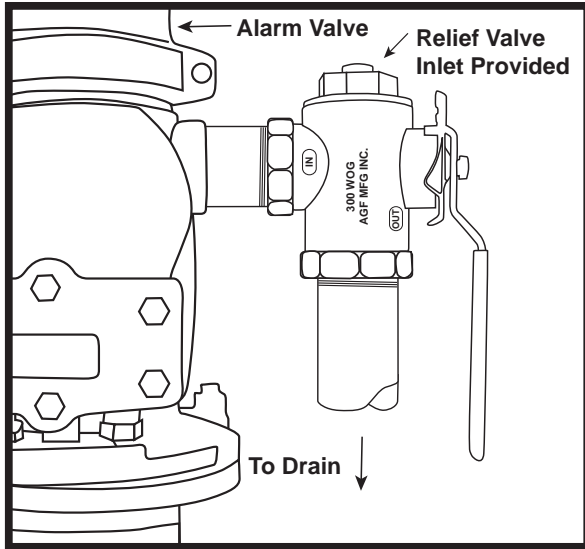




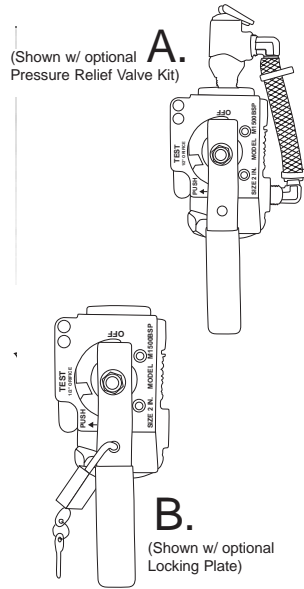
Model 1500

2"

DRAIN AN TEST



(Shown w/ optional Pressure Relief Valve Kit)



- The AGF Manufacturing Inc. Model 1500 DRAIN AN TEST Valve Is Designed For Use As The 2" Main Drain And Test Valve For Wet Pipe Sprinkler Systems Used For The Testing Of Alarm Devices Attached To The Alarm Check Valve.
- The Model 1500 Complies With The NFPA-13 Requirements For The Main Drain Test Connection As Detailed In Sections 5-14.2.4.4 And 5-15.4.1, Appendix A-5-15.4.1, Figure A-5-15.4.1, And Exhibits 5.28, 5.29, And 5.38.
- The AGF Model 1500 DRAIN AN TEST Valve Is A Compact, Single Handle Ball Valve, Which Includes A Tamper-Resistant Test Orifice And Is 300 PSI Rated.
- Available In 2" NPT and BSPT With Specified Orifice Sizes Of 3/8", 7/16", 1/2", 17/32", 5/8" (ELO), 3/4" (ESFR), and K25. Test Orifice Sizes Are Noted On The Indicator Plate.
- The Model 1500 Can Be Ordered With A Relief Valve And Bypass Drain Line As The Model 1511 To Meet NFPA-13 Requirements For The Installation Of A Relief Valve On Gridded Wet Pipe Systems As Detailed In Section 4-1.2. (see drawing A)
- Locking Kit Available To Provide Vandal Protection And Prevent Unintentional Alarm Activation. (See drawing B)

LIMITED WARRANTY: AGF Manufacturing, Inc. warrants each product against defects in material and workmanship for a period of one year from the date of original shipment. In the event of such defects within the warranty period, the Company will, at its option, replace or recondition the product without charge. This shall constitute the exclusive remedy for breach of warranty, and the Company shall not be responsible for any incidental or consequential damages, including, without limitation, damages or other costs resulting from labor charges, delays, vandalism, negligence, fouling caused by foreign material, damage from adverse water conditions, chemicals or any other circumstances over which the Company has no control. This warranty shall be invalidated by any abuse, misuse, misapplication or improper installation of the product. THE COMPANY MAKES NO OTHER WARRANTIES EXPRESS OR IMPLIED EXCEPT AS PROVIDED IN THIS LIMITED WARRANTY.



Model 1500

2"

DRAIN AN TEST



● INSTALLATION

- A. Check the indicating plate for the correct orifice size.
- B. Thread the inlet of the DRAIN AN TEST onto the nipple from the alarm valve drain port.
- C. Connect the main drain pipe to the outlet of the DRAIN AN TEST valve.

● OPERATION

- A. Alarm Check Valve Test:
 1. Turn valve handle clockwise from "Off" to "Test" position. The handle will stop automatically.
 2. After test is completed, turn handle to "Off" position.
- B. Water Supply Flow Test:
 1. Depress "Push" button and turn handle counterclockwise to "Drain" position.
 2. After test is completed, turn handle to "Off" position.
- C. To drain the system:
 1. Close supply control valve
 2. Depress "Push" button and turn handle counterclockwise to "Drain" position.
 3. When system is empty, return handle clockwise to "Off" position.

● MAINTENANCE

Operate the Model 1500 DRAIN AN TEST after installation and periodically as required by the Authority Having Jurisdiction. Repeated operation of the valve may cause the packing gland to loosen. If leakage from the packing gland occurs:

- A. Remove hex nut and handle. (Note position of handle prior to removal, so handle may be re-installed in same position.)
- B. Tighten packing gland by turning the hex nut clockwise. Do not over-tighten.
- C. Replace handle and hex nut.
- D. Operate the DRAIN AN TEST to verify that the packing gland has not been over-tightened and the handle operates properly (see "OPERATION").

● REPAIR/REPLACEMENT

Repair or replacement kits, AGF Part #982, are available and contain the following: 2 Ball Seats 1 Stem Washer 1 End Adapter Seal Ring 1 Stem Gasket AGF Part #966 replacement ball (please indicate proper test orifice size) Items from the Material List are also available individually. You can also order a replacement ball, AGF Part #942. Please indicate proper TEST orifice size.

Material List

Part:	Material:
Handle	Steel
Stem	Rod Brass
Ball	C.P. Bronze
Body	Iron
V alve Seat	Impregnated Teflon
Indicator Plate	Steel
Handle Lock	Spring Steel

Approvals:

UL and ULC listed

Visit us on the Internet at

www.testandrain.com