



Model 2500

TESTANDRAIN®

Sectional Floor Control Test and Drain Valve

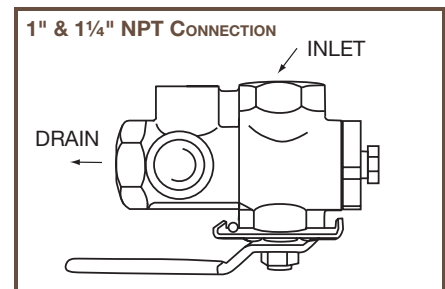


1" 1¼" 2"

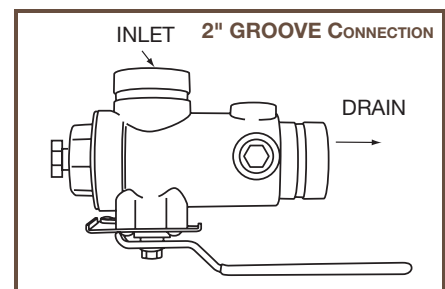


- The AGF Manufacturing Inc. **Model 2500 TESTANDRAIN®** provides both the test function and the express drain function for a wet fire sprinkler system.
- The 2" **Model 2500** features a groove x groove connection.
- The **Model 2500** complies with the requirements of NFPA-13, NFPA-13R, and NFPA-13D.
- The **Model 2500 TESTANDRAIN®** is a multi-direction, compact single handle ball valve which includes a tamper resistant test orifice and integral tamper resistant sight glasses, and is 300 PSI rated.
- The **Model 2500 TESTANDRAIN®** provides an alternate handle location from the **Model 1000** for difficult install situations
- Available in 1" And 1¼" NPT and 2" Groove, with all specifiable orifice sizes 3/8" (2.8K), 7/16" (4.2K), 1/2" (5.6K), 17/32" (8.0K), 5/8" (11.2K, ELO), 3/4" (14.0K, ESFR), and K25 as required by NFPA 13, 2007 Edition (see reverse).
- The orifice size is noted on the indicator plate and the valve features a tapped and plugged port for system access.
- A locking kit is available and can be ordered with the valve to provide vandal resistance or prevent unintentional alarm activation.
- Repair kits including (1) adapter gasket, (1) ball, (2) valve seats, (1) stem packing, and (1) stem washer are available for all **TESTANDRAIN®** valves. Specify valve and orifice size when ordering.

MODEL 2500 - DRAIN TO LEFT



MODEL 2500 - DRAIN TO RIGHT



Reliability, Versatility, Code Compatibility

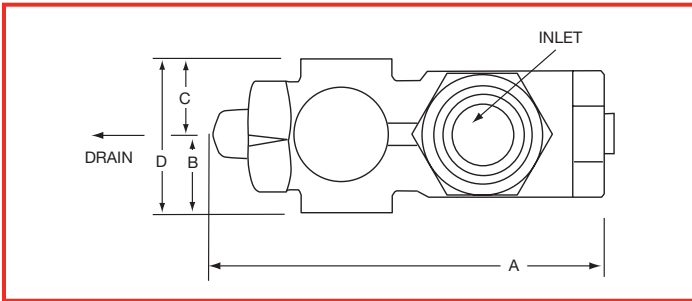


TEST AND DRAIN®

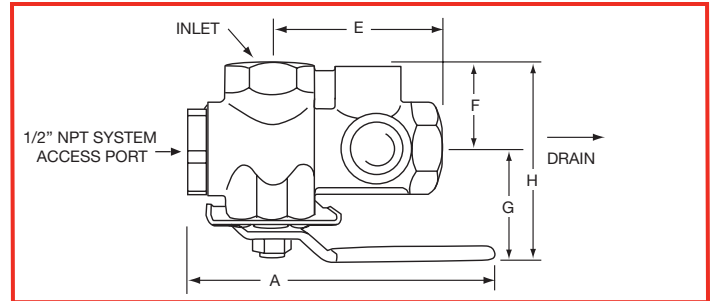
Model 2500

300 PSI Bronze Ball Valve

MODEL 2500 - PLAN VIEW



MODEL 2500 - SIDE VIEW



DIMENSIONS

Orifice Size Available: 3/8", 7/16", 1/2", 17/32", ELO (5/8"), ESFR (3/4)*, K25**

SIZE	A	B	C	D	E	F	G	H
1"	6 1/4" (159 mm)	1 1/4" (32 mm)	1 1/4" (32 mm)	2 1/2" (64 mm)	3 3/8" (86 mm)	1 13/16" (46 mm)	2 5/8" (67 mm)	4 3/16" (106 mm)
1 1/4"	7 9/16" (192 mm)	1 3/8" (35 mm)	1 3/8" (35 mm)	2 3/4" (70 mm)	3 3/8" (86 mm)	2 1/8" (51 mm)	3 1/16" (78 mm)	4 11/16" (119 mm)
2" [†]	10 1/4" (260 mm)	1 13/16" (46 mm)	1 13/16" (46 mm)	3 5/8" (92 mm)	5 5/8" (143 mm)	2 3/4" (70 mm)	3 3/4" (95 mm)	6 1/2" (165 mm)

* Available on 1 1/4" to 2" size units only

** Available on 2" size units only

† 2" M2500 is Groove x Groove only

MATERIALS

Handle: Steel
 Stem: Rod Brass
 Ball: C.P. Brass
 Body: Bronze
 Valve Seat: Impregnated Teflon®
 Indicator Plate: Steel
 Handle Lock: Spring Steel

APPROVALS

UL and ULC Listed: EX4019
 FM Approved
 NYC-BSA No. 720-87-SM



THE MODEL 2500 PROVIDES ALL OF THE FOLLOWING...

From the 2007 Edition of NFPA 13

- Chapter 8.16.2.4.1* Provisions shall be made to properly drain all parts of the system.
- Chapter 8.16.2.4.2 Drain connections, interior sectional or floor control valve(s) – shall be provided with a drain connection having a minimum size as shown in Table 8.16.2.4.2.
- & 8.16.2.4.3
- Chapter 8.16.2.4.4 Drains shall discharge outside or to a drain capable of handling the flow of the drain.
- Chapter A.8.17.4.2 (Wet Pipe System) test connection is permitted to terminate into a drain capable of accepting full flow... using an approved sight test connection containing a smooth bore corrosion-resistant orifice giving a flow equivalent to one sprinkler...
- Chapter 8.17.4.2.2 The test connection valve shall be readily accessible.
- Chapter 8.17.4.2.4 shall be permitted to be installed in any location... downstream of the waterflow alarm.
- Chapter 8.17.4.3.1 (Dry Pipe System) a trip test connection not less than 1" in diameter, terminating in a smooth bore corrosion-resistant orifice, to provide a flow equivalent to one sprinkler...
- Chapter 8.17.4.3.2 The trip test connection... with a shutoff valve and plug not less than 1", at least one of which shall be brass.

USA Patent # 4741361 and Other Patents Pending



AGF Manufacturing Inc.
 100 Quaker Lane, Malvern, PA 19355
 Phone: 610-240-4900
 Fax: 610-240-4906
 www.testandrain.com

Job Name: _____
 Architect: _____
 Engineer: _____
 Contractor: _____