



Model 8000/8011

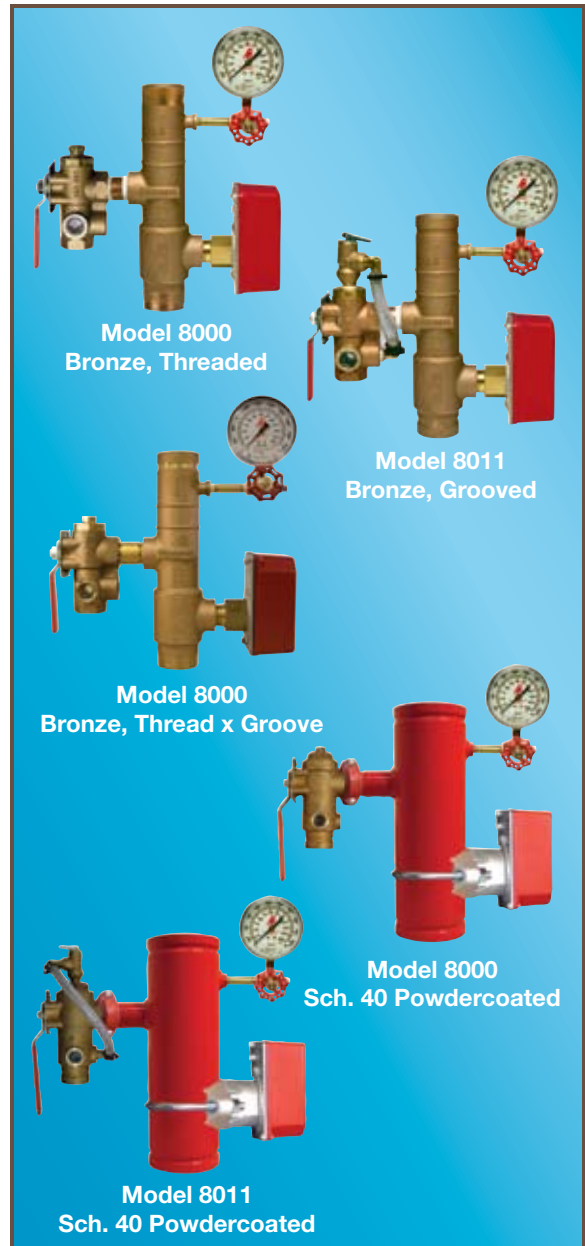
COMMERCIAL

# RISERPACK®

Pre-Assembled TESTANDRAIN Riser

1 1/4"	1 1/2"	2"	2 1/2"	3"	4"	6"
Bronze			Sch. 40 Powdercoated			

- The AGF Manufacturing Inc. **Model 8000/8011 COMMERCIAL RISERPACK®** is a compact prepackaged economical riser assembly designed for NFPA 13 wet fire sprinkler systems.
- The **Model 8000/8011 COMMERCIAL RISERPACK®** utilize the appropriate sized UL Listed/FM Approved patented AGF **Model 2500 or 2511 TESTANDRAIN®** valves designed to comply with the NFPA 13 requirement regarding providing sight glasses for verification while testing through a properly sized test orifice. The **Model 8000/8011 COMMERCIAL RISERPACK®** is available with 3/8", 7/16", 1/2", 17/32", 5/8" (ELO), 3/4" (ESFR) and K25 orifices to meet K-Factors of 2.8 to 25.
- The UL Listed, made and machined in the **U.S.A.**, cast bronze 1 1/4", 1 1/2" and 2" **RISERPACK®**s are available with male threaded, grooved, and threaded x grooved ends and are rated at 300 PSI; castings are lettered on both sides allowing right or left side draining, horizontal or vertical installation. The Schedule 40 fabricated steel body with 3mil powder coated red finish 2 1/2", 3", 4", and 6" **RISERPACK®** are available with grooved ends and are rated at 300 PSI.
- All **RISERPACK®**s are assembled with UL Listed/FM Approved AGF **Model 7500 300 PSI Pressure Gauge**, **Model 7600 1/4" 3-way Globe Valve** and either a 1" NPT threaded or saddle mount water flow switch as required by NFPA 13.
- The **Model 8000/8011 COMMERCIAL RISERPACK®** through the **Model 2500/2511 TESTANDRAIN®** valves offer a unique design benefit that allows system access through the valve for system integrity testing and/or installation of the optional relief valve trim kit (**Model 8011**) without system draining.
- 1 1/4", 1 1/2", an 2" **RISERPACK®**s utilize a 1" FNPT **M2500 or 2511** and are available with orifice sizes of 3/8" to 5/8" (ELO); 2 1/2" and 3" **RISERPACK®**s utilize a 1 1/4" FNPT **M2500 or 2511** and are available with orifice sizes of 3/8" to 3/4" (ESFR); and 4" and 6" **RISERPACK®**s utilize a 2" Grooved **M2500 or 2511** and are available with orifice sizes of 3/8" to K-25.
- Available as the **Model 8011** with UL Listed/FM Approved AGF **Model 7000 Pressure Relief Valve**, factory rated at 175 PSI. Other ratings are available and may be substituted: 165, 185, 195, 205, 225, & 250.



NOTE: It is important to note that the pressure rating of the relief valve indicates an operating range of pressure for both opening and closing of the valve. Standard relief valves are required to OPEN in a range of pressure between 90% and 105% of their rating. The valves are required to CLOSE at a pressure above 80% of that rating. The relief valve should be installed where it is easily accessible for maintenance. Care should be taken that the relief valve CANNOT be isolated from the system when the system is operational. A relief valve should NEVER have a shutoff valve or a plug downstream of its outlet.

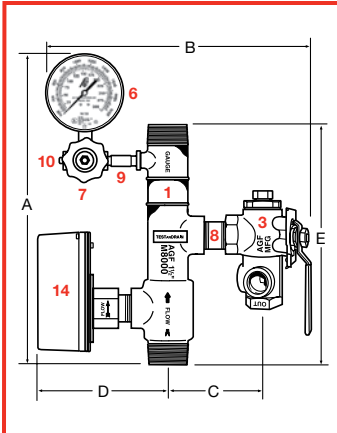
**Reliability, Versatility, Code Compatibility**



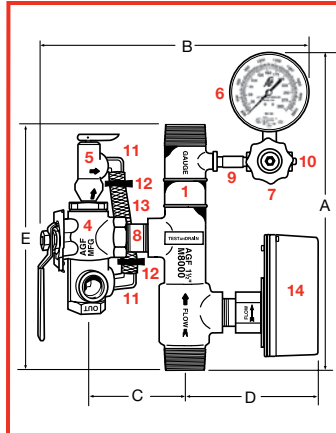
**Model 8000/8011**

**COMMERCIAL  
RISERPACK®**

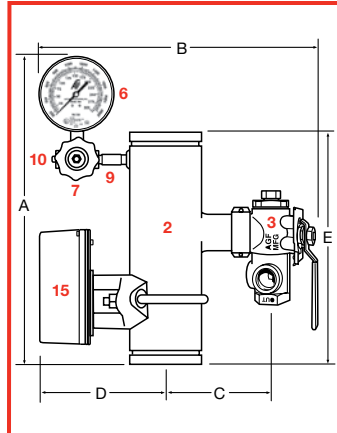
**1 1/4" – 2" MODEL 8000**



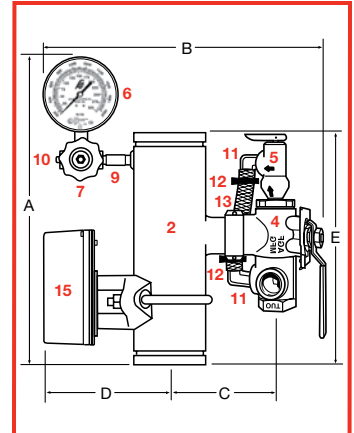
**1 1/4" – 2" MODEL 8011**



**2 1/2" – 6" MODEL 8000**



**2 1/2" – 6" MODEL 8011**



**DIMENSIONS**

SIZE	A	B	C	D	E
1 1/4"	14 1/2" (369 mm)	14" (356 mm)	4 3/4" (120 mm)	6 1/2" (165 mm)	11" (279 mm)
1 1/2"	15 1/2" (394 mm)	14 1/4" (362 mm)	4 3/4" (120 mm)	6 3/4" (171 mm)	12" (305 mm)
2"	15 1/2" (394 mm)	14 3/4" (374 mm)	5" (127 mm)	7" (178 mm)	12" (305 mm)
2 1/2"	17 1/8" (435 mm)	14 1/4" (362 mm)	5 5/8" (143 mm)	6" (152 mm)	14" (356 mm)
3"	17 1/8" (435 mm)	15" (381 mm)	5 7/8" (149 mm)	6 3/8" (162 mm)	14" (356 mm)
4" *	17 1/8" (435 mm)	19" (483 mm)	8" (203 mm)	6 7/8" (175 mm)	14" (356 mm)
6" *	17 1/8" (435 mm)	21 1/8" (537 mm)	9 1/8" (232 mm)	7 7/8" (200 mm)	14" (356 mm)

\* 4" and 6" RISERPACKs utilize a 2" groove x groove M2500/2511 TESTANDRAIN valve.

Dimensions have been rounded to the nearest 1/4", except "E".

Confirm that enough space is left between the RISERPACK and any obstructions to move handle of M2500/2511 TESTANDRAIN valve into the "TEST" position and into the "DRAIN" position.



**COMPONENTS**

Item No.	Part	Qty.
1	RiserPACK - Bronze Casting	1
2	RiserPACK - Sch. 40 Powdercoated	1
3	M2500 TESTANDRAIN Valve	1
4	M2511 TESTANDRAIN Valve	1
5	M7000 Pressure Relief Valve	1
6	M7500 Pressure Gauge	1
7	M7600 1/4" 3-Way Globe Valve	1
8	Brass Nipple	1
9	Brass Nipple	1
10	1/4" Brass Plug	1
11	1/2" Brass NPT x Barb 90° Elbow	2
12	Clamps	2
13	Nylobraid Drain Tubing	1
14	NPT Water Flow Switch	1
15	Saddle Mount Water Flow Switch	1

**USA Patent and Other Patents Pending**



**AGF Manufacturing Inc.**  
 100 Quaker Lane, Malvern, PA 19355  
 Phone: 610-240-4900  
 Fax: 610-240-4906  
 www.testandrain.com

Job Name: \_\_\_\_\_

Architect: \_\_\_\_\_

Engineer: \_\_\_\_\_

Contractor: \_\_\_\_\_