

RISERPACK™ INSTALLATION INSTRUCTIONS



AGF Manufacturing Inc.
100 Quaker Lane, Malvern, PA 19355
Phone: 610-240-4900
Fax: 610-240-4906
www.agfmanufacturing.com

WARNING: System must be flushed clean of any debris or pipe chips. Failure to flush the system clean can damage the valve and will void the warranty.

NOTE: This unit may be shipped in a semi-assembled state. **IF A RELIEF VALVE IS INCLUDED DO NOT INSTALL THE RELIEF VALVE BEFORE THE SYSTEM INTEGRITY TEST. SYSTEM CANNOT BE PRESSURE TESTED WITH RELIEF VALVE INSTALLED.**

Installing RISERPACK™

1. Determine installation location and orientation of Model 8000/8011 RISERPACK™: drain to right, drain to left, horizontal, or vertical.
2. If necessary, tighten AGF Model 7500 Pressure Gauge and attached ball valve (if included) so that gauge face and valve handle are accessible when RISERPACK™ is in desired position.
3. Install RISERPACK™ to sprinkler system inlet as directed by code and AHJ (RISERPACK™ uses a standard groove profile for all models with groove connections). Confirm flow arrow direction. **NOTE: Some local codes require the use of a meter, a backflow preventer, and/or a check valve prior to the inlet of the RISERPACK™.**
4. Attach outlet of RISERPACK™ to system supply piping and complete system installation. **NOTE: Local codes will dictate riser drain requirements. 1" RISERPACK™ includes a ¾" Male NPT x ½" Female NPT/Male Garden Hose adaptor that can be used to access system for pressure testing through the ¾" ball valve prior to completing assembly of either a hard pipe or hose drain line. 1¼" through 6" RISERPACK™ includes a 1" drain valve with a ½" system access port that can be used for system pressure testing.**
5. **Steel RISERPACKS ONLY:** Install Pressure Gauge (To protect the gauge from damage during shipping it has not been installed. Sealant tape has been applied to the gauge's threads for convenience).
6. When the system is completely assembled, close the Model 2500/2511 TESTANDRAIN® ball valve (if included) and perform system integrity test. **NOTE: System may be accessed for testing through ½" system access port on TESTANDRAIN® ball valve.**

Installing Pressure Relief Valve (Model 8011)

For 1" RESIDENTIAL RISERPACK™

1. Close the ball valve downstream of the Model 7000 ¾" Pressure Relief Valve.
2. Perform the system integrity test.
3. Open the ball valve downstream of the Model 7000.

Local code will dictate drain requirements. Adaptor will accept ½" Male NPT hard pipe or standard hose connection.

For 1¼"-2" RESIDENTIAL RISERPACK™

The optional pressure relief valve should be installed after completion of the system installation and integrity test.

WARNING: SYSTEM CANNOT BE TESTED WITH THE PRESSURE RELIEF VALVE INSTALLED.

For 1¼"-2" RISERPACK™ it is not necessary to drain system to install the Model 7000 Pressure Relief Valve.

1. Shut off supply valve and depressurize system.
2. Open Model 3011 INSPECTOR'S TEST™ Ball Valve.
3. Remove ½" system access port plug.
4. Using sealant, install Model 7000 Pressure Relief Valve to Model 3011 INSPECTOR'S TEST™ Ball Valve and then close ball valve.
5. Install straight male X-barb to outlet of Model 7000 Pressure Relief Valve and install nylobraid tube to barb end.
6. Using pliers, slide both clamps over the nylobraid tubing.
7. Remove plastic plug from bypass tee and install male X-barb elbow into bypass tee, rolling the elbow into the tubing on the last turn of the elbow.
8. Slide one clamp over each barb fitting with pliers.
9. Return supply valve to fully open position.

For 1¼"-6" COMMERCIAL RISERPACK™

For 1¼"-6" RISERPACK™ it is not necessary to drain system to install the Model 7000 Pressure Relief Valve.

1. Shut off supply valve and depressurize system.
2. Turn the Model 2511 TESTANDRAIN® handle to the "DRAIN" position.
3. Remove ½" system access port plug.
4. Using sealant, install Model 7000 Pressure Relief Valve to Model 2511 TESTANDRAIN® ball valve and then close ball valve.
5. Remove plastic plug from Model 2511 TESTANDRAIN® ball valve's relief valve bypass drain inlet and install ½" X-barb elbows into relief valve outlet and bypass drain inlet.
6. Using pliers, slide both clamps over the nylobraid tubing.
7. Install nylobraid tubing to X-barb elbows by rolling the barb elbow into the tubing on the last turn of the elbow.
8. Slide one clamp over each barb fitting with pliers.
9. Return Floor Control valve to full open position.

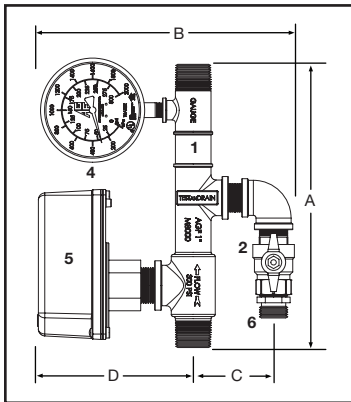
LIMITED WARRANTY: AGF Manufacturing Inc. warrants each product against defects in material for a period of one year from the date of the original shipment. In the event of such defects within the warranty period, the Company will, at its option, replace or recondition the product without charge. This shall constitute the exclusive remedy for breach of contract, and the Company shall not be responsible for any incidental or consequential damages, including, without limitation, damages or other costs resulting from labor charges, delays, vandalism, negligence, fouling caused by foreign material, damage from adverse water conditions, chemicals, or any other circumstances over which the Company has no control. This warranty shall be invalidated by any abuse, misuse, misapplication, or improper installation of the product. THE COMPANY MAKES NO OTHER WARRANTIES EXPRESS OR IMPLIED EXCEPT AS PROVIDED IN THIS WARRANTY.

Thank You For Using Our Products!

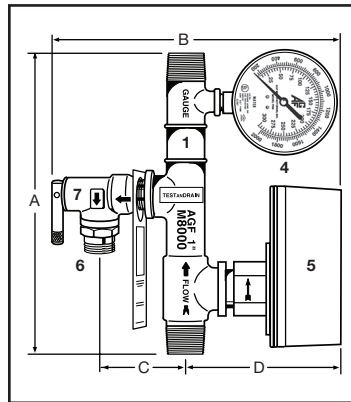
For our complete family of products,
visit us online at www.agfmanufacturing.com.

MODEL 8000/8011 RESIDENTIAL RISERPACK[®] FOR NFPA 13D

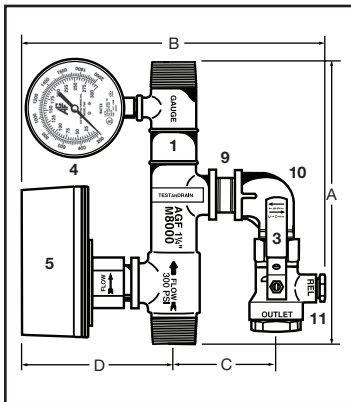
1" Model 8000 13D



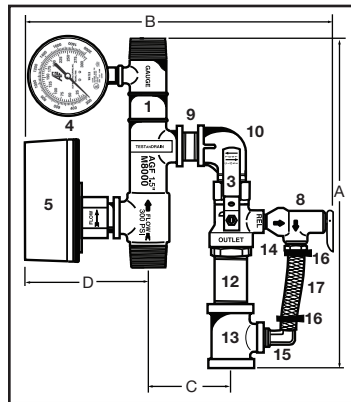
1" Model 8011 13D



1 1/4"-2" Model 8000 13D



1 1/4"-2" Model 8011 13D



Components

No.	Part	Qty.
1	RISERPACK™ - Bronze Casting	1
2	3/4" Male x Female Ball Valve	1
3	1" M3011BV INSPECTOR'S TEST™	1
4	M7500 Pressure Gauge	1
5	Water Flow Alarm Switch	1
6	3/4" MNPT x 1/2" FNPT Hose Adaptor Orifice	1
7	M7200 3/4" Pressure Relief Valve	1
8	M7000 1/2" Pressure Relief Valve	1
9	1" Brass Nipple	1
10	1" Brass Street Elbow	1
11	1/2" Brass Access Port Plug	1
12	1" Relief Valve Bypass Nipple	1
13	1" Relief Valve Bypass Tee	1
14	1/2" NPT X-Barb Straight Fitting	1
15	1/2" NPT X-Barb Elbow Fitting	1
16	Clamps	2
17	Nylobraid Drain Tubing	1

Equivalent Length of Sch. 40 Pipe

SIZE	1"	1 1/4"	1 1/2"	2"
EL	7'	5'	4'	4'
*EL	1.8'	2.1'	2.7'	2.1'

*without Flow Switch

Dimensions

SIZE	Model	A	B	C	D	Model	A	B	C	D
1"	Model 8000 13D	10 1/2" (267 mm)	9 1/2" (241 mm)	3" * (76 mm)	5 3/4" (146 mm)	Model 8011 13D	10 1/2" (267 mm)	12 1/4" (317 mm)	2 5/8" *** (73 mm)	6 1/4" (159 mm)
1 1/4"		11" (279 mm)	12 1/4" ** (311 mm)	4" (102 mm)	6 1/2" (165 mm)		14 3/4" (375 mm)	15" (381 mm)	4" (102 mm)	6 1/2" (165 mm)
1 1/2"		12" (305 mm)	12 1/2" ** (317 mm)	4 1/8" (105 mm)	6 5/8" (168 mm)		15 1/4" (387 mm)	15 1/4" (387 mm)	4 1/8" (105 mm)	6 5/8" (168 mm)
2"		12" (305 mm)	13" (329 mm)	4 3/8" (111 mm)	6 7/8" (174 mm)		15 1/4" (387 mm)	15 3/4" (399 mm)	4 3/8" (111 mm)	6 7/8" (174 mm)

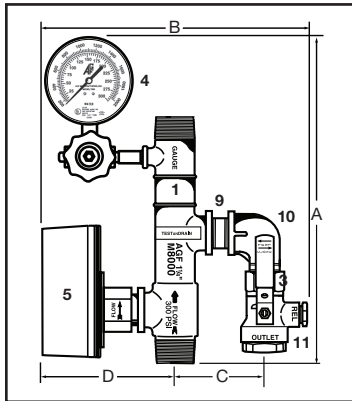
* Additional space may be necessary to allow for hard drain fitting if required

** Valve handle clearance required — add 2"

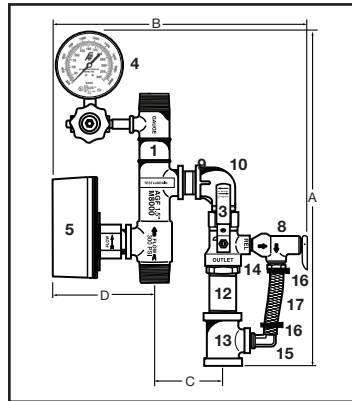
*** Lift handle clearance required — add 3 1/8"

MODEL 8000/8011 RESIDENTIAL RISERPACK[®] FOR NFPA 13R

1¼"-2" Model 8000 13R



1¼"-2" Model 8011 13R



Components

No.	Part	Qty.
1	RISERPACK™ - Bronze Casting	1
2	¾" Male x Female Ball Valve	1
3	1" M3011BV INSPECTOR'S TEST™	1
4	M7500 Pressure Gauge	1
5	Water Flow Alarm Switch	1
6	¾" MNPT x ½" FNPT Hose Adaptor Orifice	1
7	M7200 ¾" Pressure Relief Valve	1
8	M7000 ½" Pressure Relief Valve	1
9	1" Brass Nipple	1
10	1" Brass Street Elbow	1
11	½" Brass Access Port Plug	1
12	1" Relief Valve Bypass Nipple	1
13	1" Relief Valve Bypass Tee	1
14	½" NPT X-Barb Straight Fitting	1
15	½" NPT X-Barb Elbow Fitting	1
16	Clamps	2
17	Nylobraid Drain Tubing	1

Equivalent Length of Sch. 40 Pipe

SIZE	1¼"	1½"	2"
EL	5'	4'	4'
*EL	2.1'	2.7'	2.1'

*without Flow Switch

Dimensions

SIZE	Model	A	B	C	D	Model	A	B	C	D
1¼"	Model 8000 13R	14½" (369 mm)	14" (356 mm)	4¾" (120 mm)	6½" (165 mm)	Model 8011 13R	18¼" (464 mm)	15" (381 mm)	4" (102 mm)	6½" (165 mm)
1½"		15½" (394 mm)	14¼" (362 mm)	4¾" (120 mm)	6¾" (171 mm)		18¾" (476 mm)	15¼" (387 mm)	4⅞" (105 mm)	6⅝" (168 mm)
2"		15½" (394 mm)	14¾" (374 mm)	5" (127 mm)	7" (178 mm)		18¾" (476 mm)	15¾" (399 mm)	4⅝" (111 mm)	6⅞" (174 mm)

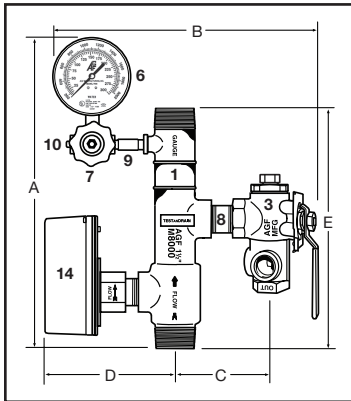
* Additional space may be necessary to allow for hard drain fitting if required

** Valve handle clearance required — add 2"

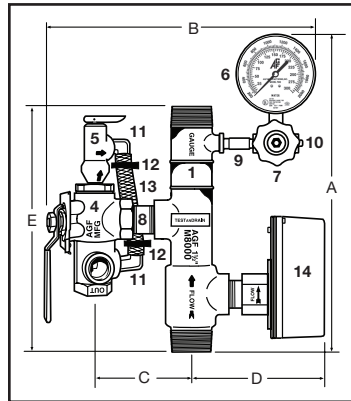
*** Lift handle clearance required — add 3⅛"

MODEL 8000/8011 COMMERCIAL RISERPACK™

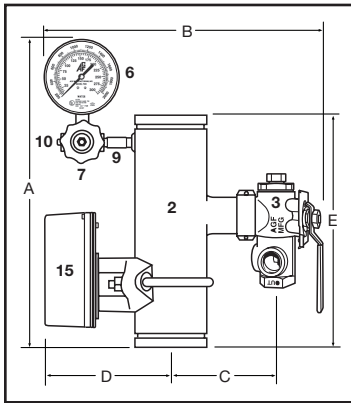
1¼"-2" Model 8000



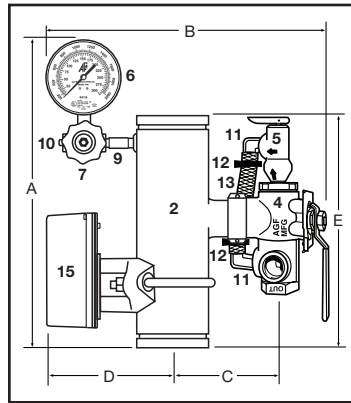
1¼"-2" Model 8011



2½"-6" Model 8000



2½"-6" Model 8011



Components

No.	Part	Qty.
1	RISERPACK™ - Bronze Casting	1
2	RISERPACK™ - Sch. 40 Steel with Red Powdercoated Finish	1
3	M2500 TESTANDRAIN® Ball Valve	1
4	M2511 TESTANDRAIN® Ball Valve	1
5	M7000 Pressure Relief Valve	1
6	M7500 Pressure Gauge	1
7	M7600 ¼" 3-Way Globe Valve	1
8	Brass Nipple	1
9	Brass Nipple	1
10	¼" Brass Plug	1
11	½" Brass NPT x Barb 90° Elbow	2
12	Clamps	2
13	Nylobraid Drain Tubing	1
14	NPT Water Flow Switch	1
15	Saddle Mount Water Flow Switch	1

Equivalent Length of Sch. 40 Pipe

SIZE	1¼"	1½"	2"	2½"	3"	4"	6"
EL	5'	4'	4'	4'	4'	3'	5'
*EL	2.1'	2.7'	2.1'	1.3'	1.3'	1.3'	1.3'

*without Flow Switch

Dimensions

SIZE	A	B	C	D	E	SIZE	A	B	C	D	E
1¼"	14½" (369 mm)	14" (356 mm)	4¾" (120 mm)	6½" (165 mm)	11" (279 mm)	3"	17½" (435 mm)	15" (381 mm)	5½" (149 mm)	6¾" (162 mm)	14" (356 mm)
1½"	15½" (394 mm)	14¼" (362 mm)	4¾" (120 mm)	6¾" (171 mm)	12" (305 mm)	4"*	17½" (435 mm)	19" (483 mm)	8" (203 mm)	6¾" (175 mm)	14" (356 mm)
2"	15½" (394 mm)	14¾" (374 mm)	5" (127 mm)	7" (178 mm)	12" (305 mm)	6"*	17½" (435 mm)	21½" (537 mm)	9½" (232 mm)	7¾" (200 mm)	14" (356 mm)
2½"	17½" (435 mm)	14¼" (362 mm)	5½" (143 mm)	6" (152 mm)	14" (356 mm)						

* 4" and 6" RISERPACK™ utilizes a 2" GRV x GRV M2500/2511 TESTANDRAIN® valve

Dimensions have been rounded to the nearest ¼", except "E"

To move handle of M2500/2511 TESTANDRAIN® valve into both "TEST" and "DRAIN" positions confirm that enough space is left between the RISERPACK™ and any obstructions.