

PURGENVENT™

Model 7900AAV

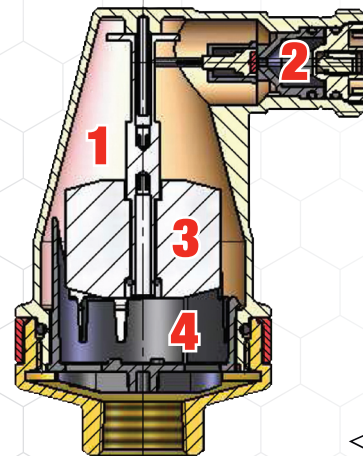
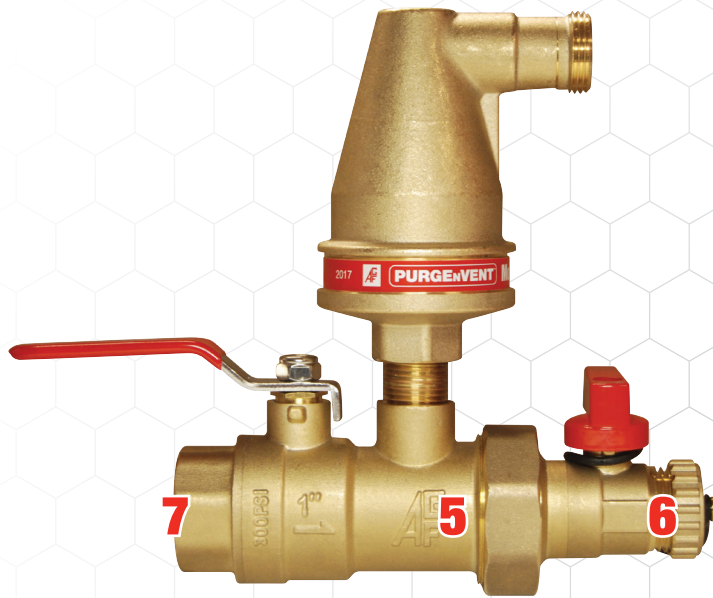
WWW.PURGENVENT.COM

Automatic Air Venting Valve

The PURGENVENT™ Model 7900AAV Automatic Air Venting Valve is designed to exceed NFPA 13 code that requires a single air vent be provided on each wet pipe sprinkler system utilizing metallic pipe.

To rapidly remove air from the system attach a hose to the purge valve's hose connection and open the valve while the system is being filled. Once the system is in operation the automatic vent will release any excess air. The purge valve is also convenient for cleaning the strainer.

AGF recommends installing the M7900AAV at high points near the end of system branch lines, whenever possible.



NFPA 13 (2016)

7.1.5 Air Venting

A single air vent with a connection conforming to 8.16.6 shall be provided on each wet pipe system utilizing metallic pipe.

8.16.6* Air Venting

The vent required by 7.1.5 shall be located near a high point in the system to allow air to be removed from that portion of the system by one of the following methods:

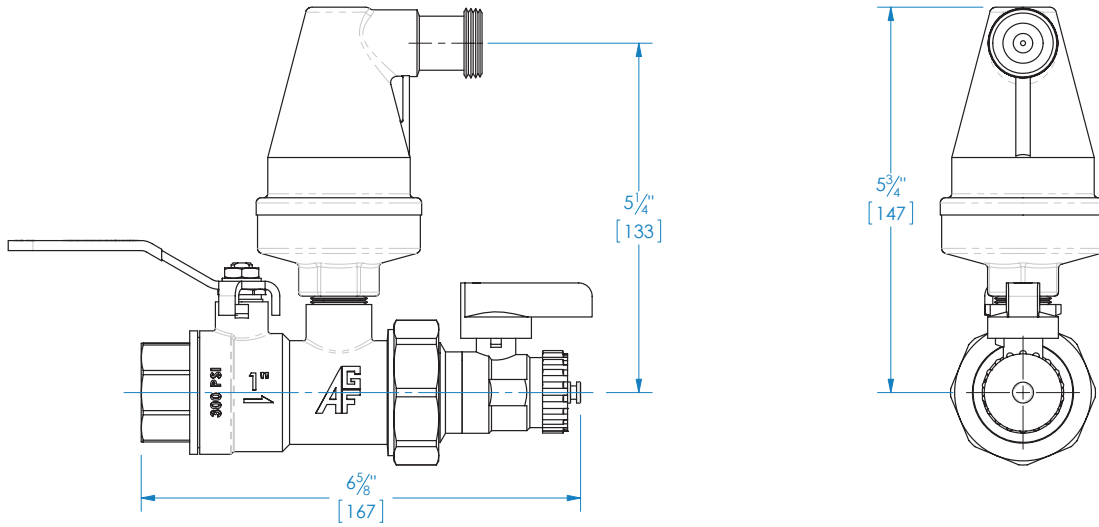
- Manual valve, minimum 1/2" (15mm) size
- Automatic air vent
- Other approved means

1. Conical shape maximizes clearance to protect valve from contamination.
2. Recessed venting valve prevents damage to vent mechanism and float.
3. Single float on rigid shaft only allows vertical movement.
4. Bubble Breaker aids in the passage of air to the vent and acts as a secondary filter.
5. Stainless Steel 20 mesh strainer.
6. Adjustable purge valve with hose connection, thread cap, and lanyard.
7. Forged brass body with 1" NPT.



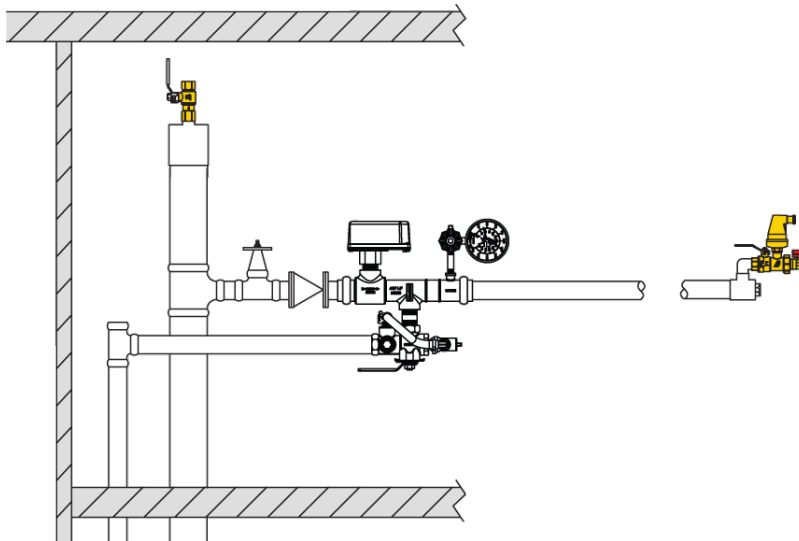
Reliability, Versatility, Code Compatibility

Model 7900AAV Dimensions



Model 7900AAV Installation Locations

AGF recommends installing the M7900AAV Automatic Air Venting Valve at high points near the end of system branch lines, whenever possible.



Item ID	Item Description
7900AAV	1" Automatic Air Venting Valve

Patent Pending



AGF Manufacturing Inc.
 100 Quaker Lane, Malvern, PA 19355
 Phone: 610-240-4900
 Fax: 610-240-4906
www.agfmanufacturing.com

Job Name: _____

Architect: _____

Engineer: _____

Contractor: _____